



Masson Marine Selection Guide

Workboat Propulsion Systems

Selection Guide

Company history	p. 4
Important notes	p. 5
Cinematic schemes	p. 6
Marine gearboxes - standard series and ratios	p. 8
Twin input marine gearbox	p. 18
Dual speed range	p. 19
Power take off - standard series and ratios	p. 20
Controllable Pitch Propellers (CPPs)	p. 21
Masson Marine network contacts	p. 22



- 1908** Establishment of the company in Courbevoie (near Paris)
- 1970's** Integration to Pont-à-Mousson group (PAM)
Transfer of the company to Saint Denis les Sens (near Sens)
(actual plant)
- 1980's** Integration to MAN/Renk group, as SEE (Société Européenne d'Engrenages)
- 2000's** Integration to ZF Marine group, as ZF Masson
Development of the Controllable Pitch Propellers
(CPPs, with separated or integrated actuator)
See pages 20 & 21
- 2006** Establishment of the independant company Masson Marine SAS
- 2007-2011** CPP integration - 1st Thruster - Propeller Pump launching
- 2013** Hybrid development - Range widening

Transmission ratings

- Ratings are based on continuous operation (heavy duty), with little or no variations in engine speed and power:
 - Average engine operating hours: unlimited
 - Hull forms: displacement or semi displacement
 - Application: commercial vessels
- Ratings are shown in kW and SAE horsepower (or bhp). SAE hp equals 1,014 times metric hp.
- Ratings are valid for both engine-wise and counter-engine-wise rotations, and for reversing (for Fixed Pitch Propellers or FPP) or non reversing (for Controllable Pitch Propellers or CPP).
- The given data is subject to modifications/corrections without prior notice.

Specific applications

- For medium duty or any specific application, for gearboxes from 200 kW to 20 000 kW including twin input/single output units, please contact us, we will be pleased to offer you advice and assistance to define the appropriate product.

Model designation

- Our models vary within their family with the letter attached at the end of their name, as follows:
 - No letter: vertical offset
 - C: coaxial
- Then, their configuration is specified as follows:
 - NR: non reversing
 - NC: no clutch
 - EW: engine wise
 - CEW: counter engine wise

Survey Society Classification

- In most of the cases, the maximum shown ratings are accepted in full by major classification companies. If classification is requested, please contact Masson Marine to select the suitable gearbox.

Torsional Responsibility and Torsional Couplings

- The responsibility for ensuring torsional compatibility rests with the assembler of the driving and driven equipment. Masson Marine can not accept any liability for gearbox noise caused by vibrations or for damage to the gearbox, the flexible coupling or to other parts of the drive unit caused by any kind of vibration.

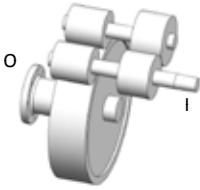
Warranty and Safe operation Notice

- Marine gearboxes and propellers are subject to the standard, agreed Masson Marine warranty conditions.
- Modifications of the products are permissible only after consultation with Masson Marine.
- The safe operation of Masson Marine products depends on the accordance with the technical data and proper installation, operation, maintenance and inspection as presented in our brochures and manuals .
- Damage to the transmission caused by repeated or continuous emergency manoeuvres or abnormal operations is not covered by warranty.

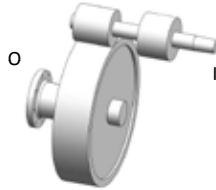


NFA/NFB/NFC

Reversing

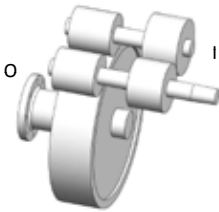


Non Reversing CEW

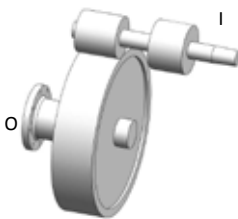


MM W2900/W3300/W3350/W3450/W3700/W3900/W4400/W5200

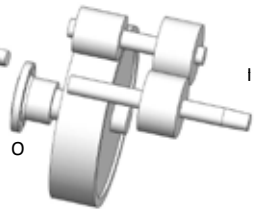
Reversing



Non Reversing CEW

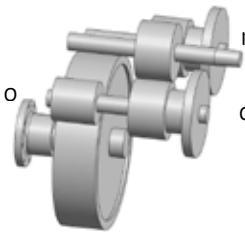


Non Reversing EW

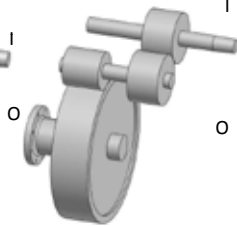


MM W4000/W5700/W6000/W6400/W7200/W7400

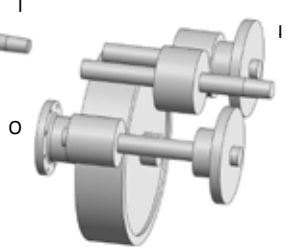
Reversing



Non Reversing EW

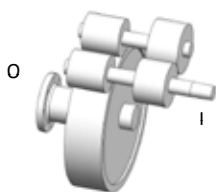


Non Reversing CEW



MM W8000/W12000/W17000/W18000/W20000

Reversing



Non Reversing CEW

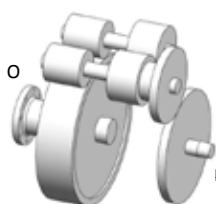


Non Reversing EW



MM W8000C/W12000C/W18000C/W20500

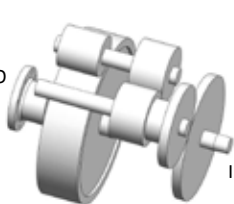
Reversing



Non Reversing EW

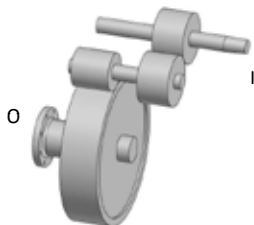


Non Reversing CEW

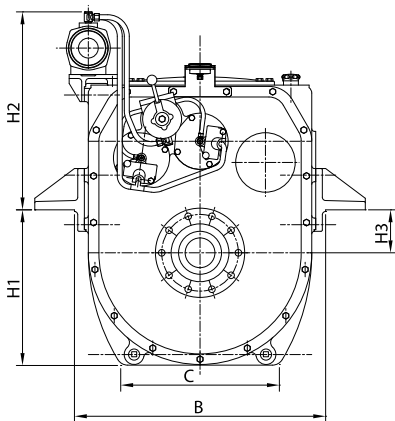
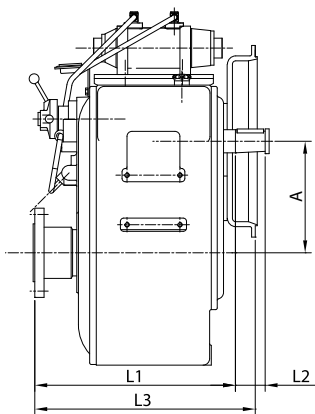


MM W8200NR/W12200NR/W18200NR/W20200NR

Non Reversing EW



Model	Ratios	kW/rpm (hp/rpm)	Sample power capacities kW (hp)			Max rpm
			1800 rpm	2100 rpm	2300 rpm	
NFA			1800 rpm	2100 rpm	2300 rpm	
NFA	1,057	0,189 (0,253)	340 (456)	397 (532)	435 (583)	2800
NFA	1,483	0,189 (0,253)	340 (456)	397 (532)	435 (583)	2800
NFA	2,000	0,189 (0,253)	340 (456)	397 (532)	435 (583)	2800
NFA	2,429	0,189 (0,253)	340 (456)	397 (532)	435 (583)	2800
NFA	3,000	0,163 (0,219)	293 (393)	342 (459)	375 (503)	2800
NFB			1800 rpm	2100 rpm	2300 rpm	
NFB	3,040	0,188 (0,252)	338 (454)	395 (529)	432 (580)	2800
NFB	3,590	0,188 (0,252)	338 (454)	395 (529)	432 (580)	2800
NFB	4,050	0,186 (0,249)	335 (449)	391 (524)	428 (574)	2800
NFB	4,611	0,163 (0,219)	293 (393)	342 (459)	375 (503)	2800
NFB	4,940	0,152 (0,204)	274 (367)	319 (428)	350 (469)	2800
NFC			1800 rpm	2100 rpm	2300 rpm	
NFC	4,103	0,210 (0,282)	378 (507)	441 (591)	483 (648)	2800
NFC	4,481	0,210 (0,282)	378 (507)	441 (591)	483 (648)	2800
NFC	4,920	0,210 (0,282)	378 (507)	441 (591)	483 (648)	2800
NFC	5,727	0,210 (0,282)	378 (507)	441 (591)	483 (648)	2800
NFC	6,400	0,193 (0,259)	347 (466)	405 (544)	444 (595)	2800
NFC	7,222	0,172 (0,231)	310 (415)	361 (484)	396 (531)	2800
NFC	7,706	0,162 (0,217)	292 (391)	340 (456)	373 (500)	2800



Dimensions (mm)

Model	Bell housing	A	B	C	H1	H2	H3	L1	L2	L3	Weight kg (lb)
NFA	SAE 0, 1	165	630	400	265	395	65	577	90	672	325 (720)
NFB	SAE 0, 1	230	680	420	365	395	130	607	90	702	420 (930)
NFC	SAE 0, 1	338	760	480	470	610	130	607	90	670	620 (1370)

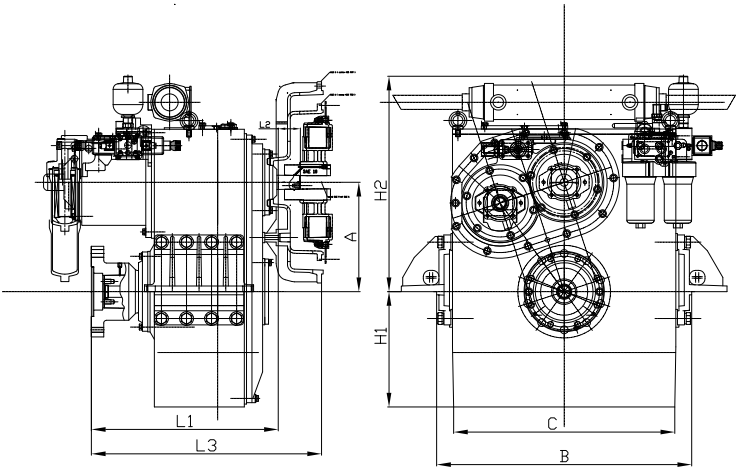
Main options for NFA, NFB, NFC:

- Various choice of brackets (H1, H2, H3 dimensions above are for bracket ref 80403663)
- For NFB and NFC only: PTO solutions - see page 20
- For NFC : Suitable for CPP – CPP range: see page 21



Heavy duty ratings and dimensional data

Model	Ratios	kW/rpm (hp/rpm)	Sample power capacities kW (hp)			Max rpm
			1200 rpm	1600 rpm	1800 rpm	
W2900						
W2900	2,488	0,310 (0,415)	372 (499)	496 (665)	558 (748)	2200
W2900	2,947	0,310 (0,415)	372 (499)	496 (665)	558 (748)	2200
W2900	3,471	0,310 (0,415)	372 (499)	496 (665)	558 (748)	2200
W2900	4,067	0,310 (0,415)	372 (499)	496 (665)	558 (748)	2200
W2900	4,464	0,310 (0,415)	372 (499)	496 (665)	558 (748)	2200
W2900	5,120	0,310 (0,415)	372 (499)	496 (665)	558 (748)	2200
W2900	5,417	0,310 (0,415)	372 (499)	496 (665)	558 (748)	2200
W2900	6,000	0,310 (0,415)	372 (499)	496 (665)	558 (748)	2200
W2900	6,700	0,251 (0,336)	302 (405)	402 (539)	452 (606)	2200



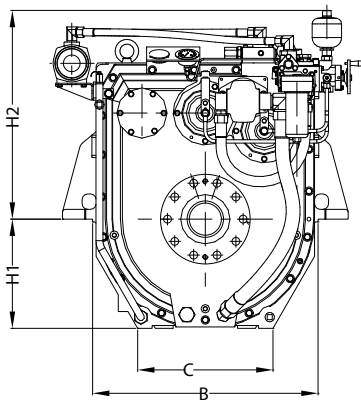
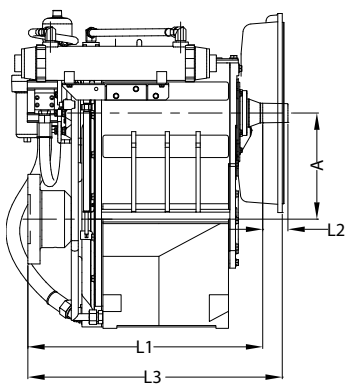
Dimensions (mm)

Model	Bell housing	A	B	C	H1	H2	L1	L2	L3	Weight kg (lb)
W2900	SAE 0, 1	386	900	781	408	746	662	78	815	990 (2190)

Main options for W2900:

- Classification, shaft brake, trailing pump
- PTO / PTI solutions, retrofitable - see page 20
- Suitable for CPP – CPP range: see page 21

Model	Ratios	kW/rpm (hp/rpm)	Sample power capacities kW (hp)			Max rpm
			1200 rpm	1600 rpm	1800 rpm	
MM W3300			1200 rpm	1600 rpm	1800 rpm	
MM W3300	6,444	0,296 (0,397)	355 (476)	474 (635)	533 (714)	2200
MM W3300	6,556	0,280 (0,375)	336 (451)	448 (601)	504 (676)	2200
MM W3300	6,940	0,259 (0,347)	311 (417)	414 (556)	466 (625)	2200
MM W3350			1200 rpm	1600 rpm	1800 rpm	
MM W3350	6,440	0,350 (0,469)	420 (563)	560 (751)	630 (845)	2200
MM W3350	6,840	0,291 (0,390)	349 (468)	466 (624)	524 (702)	2200
MM W3450			1200 rpm	1600 rpm	1800 rpm	
MM W3450	4,077	0,361 (0,484)	433 (581)	578 (775)	650 (872)	2200
MM W3450	4,583	0,361 (0,484)	433 (581)	578 (775)	650 (872)	2200
MM W3450	4,913	0,361 (0,484)	433 (581)	578 (775)	650 (872)	2200
MM W3450	5,476	0,361 (0,484)	433 (581)	578 (775)	650 (872)	2200
MM W3450	5,850	0,361 (0,484)	433 (581)	578 (775)	650 (872)	2200
MM W3700			1200 rpm	1600 rpm	1800 rpm	
MM W3700	4,077	0,388 (0,520)	466 (625)	621 (833)	698 (936)	2200
MM W3700	4,583	0,388 (0,520)	466 (625)	621 (833)	698 (936)	2200
MM W3700	4,913	0,388 (0,520)	466 (625)	621 (833)	698 (936)	2200
MM W3700	5,476	0,388 (0,520)	466 (625)	621 (833)	698 (936)	2200
MM W3700	5,850	0,388 (0,520)	466 (625)	621 (833)	698 (936)	2200



Dimensions (mm)

Model	Bell housing	A	B	C	H1	H2	H3	L1	L2	L3	Weight kg (lb)
MM W3300	SAE 0, 1	379	806	484	390	746	-	839	90	908	1260 (2780)
MM W3350	SAE 0, 1	379	806	484	390	746	-	864	90	933	1260 (2780)
MM W3450	SAE 0, 1	379	806	484	390	746	-	839	90	908	1260 (2780)
MM W3700	SAE 0, 1	379	806	484	390	746	-	864	90	933	1260 (2780)

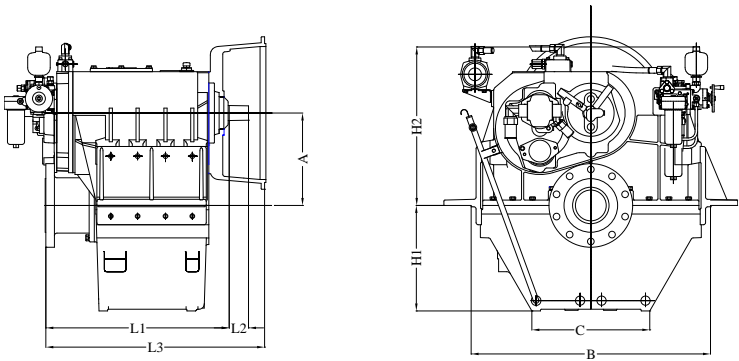
Main options for MM W3300, MM W3350, MM W3450, MM W3700:

- Classification, shaft brake, trailing pump
- PTO / PTI solutions, retrofitable - see page 20
- Suitable for CPP – CPP range: see page 21



Heavy duty ratings and dimensional data

Model	Ratios	kW/rpm (hp/rpm)	Sample power capacities kW (hp)			Max rpm
			1200 rpm	1600 rpm	1800 rpm	
MM W3900			1200 rpm	1600 rpm	1800 rpm	
MM W3900	6,435	0,408 (0,547)	490 (657)	653 (876)	735 (986)	2100
MM W3900	6,818	0,388 (0,520)	466 (625)	622 (834)	699 (937)	2100
MM W3900	6,955	0,348 (0,467)	417 (559)	556 (746)	626 (839)	2100
MM W4400			1200 rpm	1600 rpm	1800 rpm	
MM W4400	3,486	0,540 (0,724)	648 (869)	864 (1159)	972 (1303)	2100
MM W4400	4,032	0,540 (0,724)	648 (869)	864 (1159)	972 (1303)	2100
MM W4400	4,448	0,540 (0,724)	648 (869)	864 (1159)	972 (1303)	2100
MM W4400	5,077	0,540 (0,724)	648 (869)	864 (1159)	972 (1303)	2100
MM W4400	5,542	0,540 (0,724)	648 (869)	864 (1159)	972 (1303)	2100
MM W4400	5,913	0,540 (0,724)	648 (869)	864 (1159)	972 (1303)	2100
MM W5200			1200 rpm	1600 rpm	1800 rpm	
MM W5200	3,964	0,611 (0,819)	733 (983)	978 (1312)	1100 (1475)	2100
MM W5200	4,345	0,611 (0,819)	733 (983)	978 (1312)	1100 (1475)	2100
MM W5200	4,962	0,611 (0,819)	733 (983)	978 (1312)	1100 (1475)	2100
MM W5200	5,458	0,611 (0,819)	733 (983)	978 (1312)	1100 (1475)	2100
MM W5200	5,955	0,611 (0,819)	733 (983)	978 (1312)	1100 (1475)	2100



Dimensions (mm)

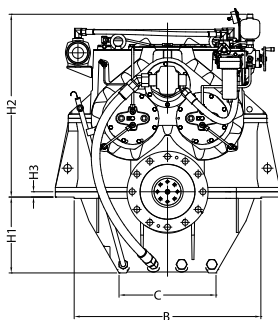
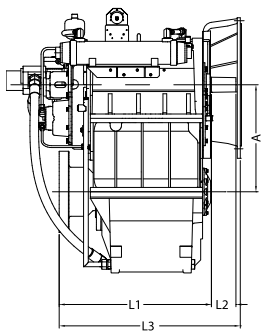
Model	Bell housing	A	B	C	H1	H2	H3	L1	L2	L3	Weight kg (lb)
MM W3900	SAE 0, 1	400	908	800	400	705	0	524	77	637	1270 (2800)
MM W4400	SAE 0, 1	400	908	800	400	705	0	524	77	637	1270 (2800)
MM W5200	SAE 0, 00	431	1116	550	492	742	0	855	90	1020	2000 (4410)

Main options:

- Classification, shaft brake, trailing pump
- PTO / PTI solutions, retrofitable - see page 20
- Suitable for CPP – CPP range: see page 21



Model	Ratios	kW/rpm (hp/rpm)	Sample power capacities			Max rpm
			kW (hp)			
MM W4000			<i>1200 rpm</i>	<i>1600 rpm</i>	<i>1800 rpm</i>	
MM W4000	1,268	0,510 (0,684)	612 (821)	816 (1094)	918 (1231)	1800
MM W4000	1,501	0,510 (0,684)	612 (821)	816 (1094)	918 (1231)	1800
MM W4000	2,017	0,510 (0,684)	612 (821)	816 (1094)	918 (1231)	1800
MM W4000	2,661	0,510 (0,684)	612 (821)	816 (1094)	918 (1231)	1800
MM W4000	3,076	0,510 (0,684)	612 (821)	816 (1094)	918 (1231)	1800
MM W5700			<i>1200 rpm</i>	<i>1600 rpm</i>	<i>1800 rpm</i>	
MM W5700	1,976	0,712 (0,955)	854 (1146)	1139 (1528)	1282 (1719)	1950
MM W5700	2,370	0,712 (0,955)	854 (1146)	1139 (1528)	1282 (1719)	1950
MM W5700	2,712	0,712 (0,955)	854 (1146)	1139 (1528)	1282 (1719)	1950
MM W5700	3,133	0,712 (0,955)	854 (1146)	1139 (1528)	1282 (1719)	1950
MM W5700	3,574	0,624 (0,837)	749 (1004)	998 (1338)	1123 (1505)	2100
MM W5700	4,081	0,546 (0,732)	655 (878)	874 (1172)	983 (1318)	2300
MM W5700	4,667	0,478 (0,640)	574 (769)	765 (1025)	860 (1153)	2300
MM W5700	5,354	0,416 (0,557)	499 (669)	666 (893)	749 (1004)	2300
MM W5700	6,169	0,362 (0,485)	434 (582)	579 (776)	652 (874)	2300
MM W6000			<i>1200 rpm</i>	<i>1600 rpm</i>	<i>1800 rpm</i>	
MM W6000	4,479	0,510 (0,684)	612 (821)	816 (1094)	918 (1231)	1800
MM W6000	5,104	0,510 (0,684)	612 (821)	816 (1094)	918 (1231)	1800
MM W6000	5,765	0,451 (0,605)	541 (726)	722 (968)	812 (1089)	2000
MM W6000	6,508	0,400 (0,536)	480 (644)	640 (858)	720 (966)	2300
MM W6000	7,063	0,368 (0,493)	442 (592)	589 (790)	662 (888)	2600
MM W6000	7,672	0,339 (0,455)	407 (546)	542 (727)	610 (818)	2800
MM W6000	8,705	0,299 (0,401)	359 (481)	478 (642)	538 (722)	2800
MM W6000	9,916	0,262 (0,351)	314 (422)	419 (562)	472 (632)	2800



Dimensions (mm)

Model	Bell housing	A	B	C	H1	H2	H3	L1	L2	L3	Weight kg (lb)
MM W4000	SAE 0, 1	387	760	410	477	542	202	700	105	898	1180 (2600)
MM W5700	SAE 0, 00	434	854	460	535	583	226	802	130	956	1500 (3310)
MM W6000	SAE 0, 00	548	848	508	395	931	-25	715	105	868	1790 (3950)

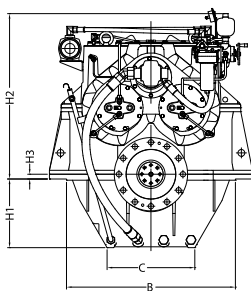
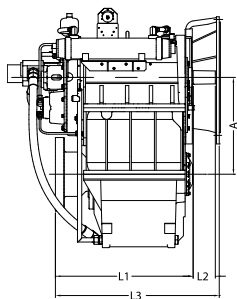
Main options:

- Classification, shaft brake, trailing pump
- PTO / PTI solutions, retrofitable - see page 20
- Suitable for CPP – CPP range: see page 21



Heavy duty ratings and dimensional data

Model	Ratios	kW/rpm (hp/rpm)	Sample power capacities kW (hp)			Max rpm
			1200 rpm	1600 rpm	1800 rpm	
MM W6400			1200 rpm	1600 rpm	1800 rpm	
MM W6400	6,170	0,603 (0,809)	724 (970)	965 (1294)	1085 (1456)	2100
MM W6400	6,462	0,576 (0,772)	691 (927)	922 (1236)	1037 (1390)	2100
MM W6400	7,098	0,523 (0,701)	628 (842)	837 (1122)	941 (1262)	2100
MM W6400	7,446	0,497 (0,666)	596 (800)	795 (1066)	895 (1200)	2100
MMW7200			1200 rpm	1600 rpm	1800 rpm	
MMW7200	3,296	0,869 (1,165)	1043 (1398)	1390 (1865)	1564 (2098)	1850
MMW7200	3,781	0,869 (1,165)	1043 (1398)	1390 (1865)	1564 (2098)	1850
MMW7200	3,951	0,848 (1,137)	1018 (1365)	1357 (1820)	1526 (2047)	1950
MMW7200	4,128	0,863 (1,157)	1036 (1389)	1381 (1852)	1553 (2083)	2000
MMW7200	4,314	0,811 (1,088)	973 (1305)	1298 (1740)	1460 (1958)	2100
MMW7200	4,508	0,785 (1,053)	942 (1263)	1256 (1684)	1413 (1895)	2100
MMW7200	4,925	0,735 (0,986)	882 (1183)	1176 (1577)	1323 (1774)	2100
MMW7200	5,281	0,699 (0,937)	839 (1125)	1118 (1500)	1258 (1687)	2100
MMW7200	5,633	0,654 (0,877)	785 (1052)	1046 (1403)	1177 (1579)	2100
MM W7400			1200 rpm	1600 rpm	1800 rpm	
MM W7400	4,609	0,869 (1,165)	1043 (1398)	1390 (1865)	1564 (2098)	1850
MM W7400	4,816	0,848 (1,137)	1018 (1365)	1357 (1820)	1526 (2047)	1950
MM W7400	5,032	0,863 (1,157)	1036 (1389)	1381 (1852)	1553 (2083)	2000
MM W7400	5,259	0,811 (1,088)	973 (1305)	1298 (1740)	1460 (1958)	2100
MM W7400	5,496	0,785 (1,053)	942 (1263)	1256 (1684)	1413 (1895)	2100
MM W7400	6,004	0,733 (0,983)	880 (1180)	1173 (1573)	1319 (1769)	2100
MM W7400	6,438	0,696 (0,933)	835 (1120)	1114 (1493)	1253 (1680)	2100
MM W7400	6,866	0,654 (0,877)	785 (1052)	1046 (1403)	1177 (1579)	2100
MM W7400	7,521	0,603 (0,809)	724 (970)	965 (1294)	1085 (1456)	2100
MM W7400	7,877	0,576 (0,772)	691 (927)	922 (1236)	1037 (1390)	2100
MM W7400	8,653	0,523 (0,701)	628 (842)	837 (1122)	941 (1262)	2100
MM W7400	9,077	0,497 (0,666)	596 (800)	795 (1066)	895 (1200)	2100



Dimensions (mm)

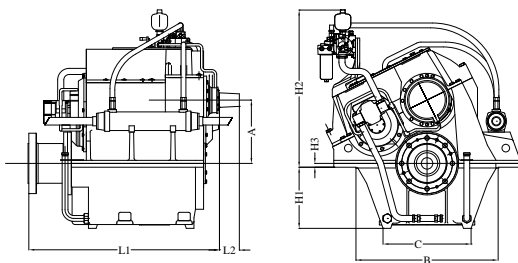
Model	Bell housing	A	B	C	H1	H2	H3	L1	L2	L3	Weight kg (lb)
MM W6400	SAE 0, 00	500	848	470	315	900	0	807	130	960	2000 (4410)
MM W7200	SAE 0, 00	500	848	470	315	900	0	807	130	960	2000 (4410)
MM W7400	SAE 0, 00	570	990	520	403	973	0	807	130	960	2450 (5400)

Main options:

- Classification, shaft brake, trailing pump
- PTO / PTI solutions, retrofitable - see page 20
- Suitable for CPP – CPP range: see page 21



Model	Ratios	kW/rpm (hp/rpm)	Sample power capacities			Max rpm
			kW (hp)			
MM W8000			<i>1000 rpm</i>	<i>1200 rpm</i>	<i>1600 rpm</i>	
MM W8000	1,543	0,914 (1,226)	914 (1226)	1097 (1471)	1462 (1961)	1600
MM W8000	2,079	0,914 (1,226)	914 (1226)	1097 (1471)	1462 (1961)	1600
MM W8000	2,441	0,914 (1,226)	914 (1226)	1097 (1471)	1462 (1961)	1600
MM W8000	3,069	0,914 (1,226)	914 (1226)	1097 (1471)	1462 (1961)	1600
MM W8000	3,538	0,760 (1,019)	760 (1019)	912 (1223)	1216 (1631)	1600
MM W12000			<i>750 rpm</i>	<i>1000 rpm</i>	<i>1200 rpm</i>	
MM W12000	1,522	1,369 (1,836)	1027 (1377)	1369 (1836)	1643 (2203)	1250
MM W12000	2,053	1,369 (1,836)	1027 (1377)	1369 (1836)	1643 (2203)	1250
MM W12000	2,545	1,369 (1,836)	1027 (1377)	1369 (1836)	1643 (2203)	1250
MM W12000	2,742	1,369 (1,836)	1027 (1377)	1369 (1836)	1643 (2203)	1250
MM W12000	3,034	1,369 (1,836)	1027 (1377)	1369 (1836)	1643 (2203)	1250
MM W12000	3,333	1,246 (1,671)	935 (1253)	1246 (1671)	1495 (2005)	1250
MM W17000			<i>1200 rpm</i>	<i>1600 rpm</i>	<i>1800 rpm</i>	
MM W17000	3,034	1,081 (1,450)	1297 (1740)	1730 (2319)	1946 (2609)	1800
MM W17000	3,538	1,081 (1,450)	1297 (1740)	1730 (2319)	1946 (2609)	1800
MM W17000	4,087	1,081 (1,450)	1297 (1740)	1730 (2319)	1946 (2609)	1800
MM W17000	4,571	1,081 (1,450)	1297 (1740)	1730 (2319)	1946 (2609)	1800
MM W17000	4,950	1,081 (1,450)	1297 (1740)	1730 (2319)	1946 (2609)	1800
MM W17000	5,500	1,081 (1,450)	1297 (1740)	1730 (2319)	1946 (2609)	1800
MM W18000			<i>1000 rpm</i>	<i>1200 rpm</i>	<i>1600 rpm</i>	
MM W18000	1,810	2,090 (2,803)	2090 (2803)	2508 (3363)	3344 (4484)	1800
MM W18000	2,105	2,090 (2,803)	2090 (2803)	2508 (3363)	3344 (4484)	1800
MM W18000	2,576	2,090 (2,803)	2090 (2803)	2508 (3363)	3344 (4484)	1800
MM W18000	2,967	2,090 (2,803)	2090 (2803)	2508 (3363)	3344 (4484)	1800
MM W18000	3,407	1,755 (2,353)	1755 (2353)	2106 (2824)	2808 (3766)	1800
MM W18000	3,786	1,659 (2,225)	1659 (2225)	1991 (2670)	2654 (3560)	1800



Dimensions (mm)

Model	Bell housing	A	B	C	H1	H2	H3	L1	L2	Weight kg (lb)
MM W8000	-	357	860	530	360	960	-25	1164	130	1800 (3970)
MM W12000	-	414	930	624	400	1029	-25	1247	130	2530 (5580)
MM W17000	-	482	1080	768	480	1160	-30	1353	130	3500 (7720)
MM W18000	-	482	1080	768	480	1143	-30	1361	163	3650 (8050)

Main options:

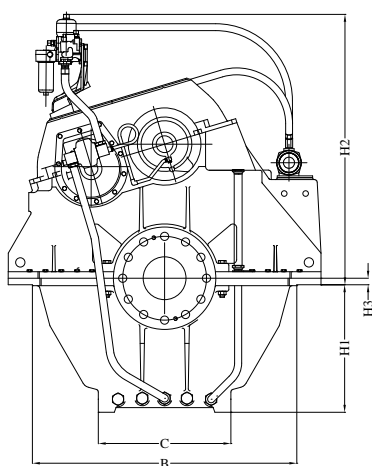
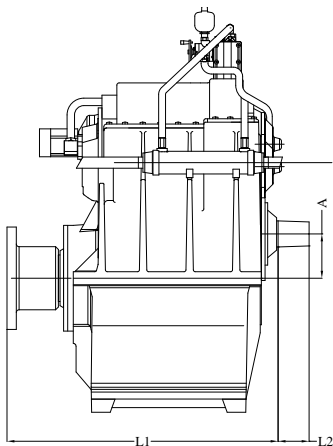
- Classification, shaft brake, trailing pump
- PTO / PTI solutions, retrofitable - see page 20
- Suitable for CPP – CPP range: see page 21



Heavy duty ratings and dimensional data

Model	Ratios	kW/rpm (hp/rpm)	Sample power capacities			Max rpm
			kW (hp)			
MM W20000			<i>1000 rpm</i>	<i>1200 rpm</i>	<i>1500 rpm</i>	
MM W20000	3,214	2,344 (3,143)	2344 (3143)	2813 (3772)	3516 (4715)	1800
MM W20000	3,317	2,344 (3,143)	2344 (3143)	2813 (3772)	3516 (4715)	1800
MM W20000	3,658	2,344 (3,143)	2344 (3143)	2813 (3772)	3516 (4715)	1800
MM W20000	4,364	2,344 (3,143)	2344 (3143)	2813 (3772)	3516 (4715)	1800
MM W20000	4,933	2,344 (3,143)	2344 (3143)	2813 (3772)	3516 (4715)	1800
MM W20000	5,593	2,344 (3,143)	2344 (3143)	2813 (3772)	3516 (4715)	1800
MM W20000	6,179	2,000 (2,682)	2000 (2682)	2400 (3218)	3000 (4023)	1800
MM W20500			<i>750 rpm</i>	<i>1000 rpm</i>	<i>1800 rpm</i>	
MM W20500	3,029	2,524 (3,385)	1893 (2538)	2524 (3383)	- (-)	1490
MM W20500	3,614	2,524 (3,385)	1893 (2538)	2524 (3383)	- (-)	1490
MM W20500	4,085	2,524 (3,385)	1893 (2538)	2524 (3383)	- (-)	1490
MM W20500	4,850	2,126 (2,851)	1595 (2137)	2126 (2850)	3827 (5130)	1800
MM W20500	5,756	1,791 (2,402)	1343 (1801)	1791 (2401)	3224 (4321)	1800
MM W20500	5,959	1,730 (2,320)	1298 (1739)	1730 (2319)	3114 (4174)	1800
MM W20500	6,611	1,560 (2,092)	1170 (1568)	1560 (2091)	2808 (3764)	1800
MM W20500	7,348	1,404 (1,883)	1053 (1412)	1404 (1882)	2527 (3388)	1800
MM W20500	8,185	1,260 (1,690)	945 (1267)	1260 (1689)	2268 (3040)	1800

In case of higher speed needed, please contact us



Dimensions (mm)

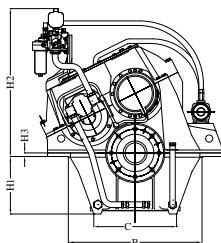
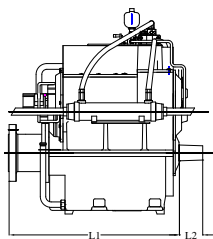
Model	Bell housing	A	B	C	H1	H2	H3	L1	L2	Weight kg (lb)
MM W20000	-	720	1420	712	685	1491	-35	1479	163	5700 (12570)
MM W20500	-	238	1420	712	685	1491	-35	1456	167	5800 (12790)

Main options:

- Classification, shaft brake, trailing pump
- PTO / PTI solutions, retrofittable - see page 20
- Suitable for CPP – CPP range: see page 21



Model	Ratios	kW/rpm (hp/rpm)	Sample power capacities kW (hp)			Max rpm
			1000 rpm	1200 rpm	1600 rpm	
MM W8000 C			1000 rpm	1200 rpm	1600 rpm	
MM W8000 C	1,988	1,410 (1,891)	1410 (1891)	- (-)	- (-)	1100
MM W8000 C	2,541	1,104 (1,480)	1104 (1480)	1325 (1777)	- (-)	1400
MM W8000 C	3,017	0,930 (1,247)	930 (1247)	1116 (1497)	- (-)	1670
MM W8000 C	3,460	0,811 (1,088)	811 (1088)	973 (1305)	1298 (1740)	1790
MM W8000 C	3,971	0,706 (0,947)	706 (947)	847 (1136)	1130 (1515)	1900
MM W8000 C	4,413	0,636 (0,853)	636 (853)	763 (1023)	1018 (1365)	1900
MM W8000 C	4,910	0,571 (0,766)	571 (766)	685 (919)	914 (1225)	1900
MM W8000 C	5,481	0,512 (0,687)	512 (687)	614 (824)	819 (1099)	1900
MM W8000 C	5,908	0,475 (0,637)	475 (637)	570 (764)	760 (1019)	1900
MM W12000 C			750 rpm	1000 rpm	1200 rpm	
MM W12000 C	2,096	1,806 (2,422)	1355 (1816)	- (-)	- (-)	860
MM W12000 C	2,503	1,633 (2,190)	1225 (1642)	1633 (2190)	- (-)	1030
MM W12000 C	2,982	1,393 (1,868)	1045 (1401)	1393 (1868)	1672 (2242)	1230
MM W12000 C	3,428	1,212 (1,625)	909 (1219)	1212 (1625)	1454 (1950)	1400
MM W12000 C	3,944	1,053 (1,412)	790 (1059)	1053 (1412)	1264 (1695)	1625
MM W12000 C	4,390	0,946 (1,269)	710 (951)	946 (1269)	1135 (1522)	1800
MM W12000 C	4,897	0,848 (1,137)	636 (853)	848 (1137)	1018 (1365)	1800
MM W12000 C	5,476	0,758 (1,016)	569 (762)	758 (1016)	910 (1220)	1800
MM W12000 C	5,913	0,702 (0,941)	527 (706)	702 (941)	842 (1130)	1800
MM W12000 C	6,496	0,702 (0,941)	527 (706)	702 (941)	842 (1130)	1800
MM W18000 C			750 rpm	1000 rpm	1800 rpm	
MM W18000 C	2,457	2,525 (3,385)	1894 (2539)	2525 (3385)	- (-)	1490
MM W18000 C	2,916	2,127 (2,851)	1595 (2138)	2127 (2851)	- (-)	1770
MM W18000 C	3,461	1,792 (2,402)	1344 (1802)	1792 (2402)	3225	1800
MM W18000 C	3,975	1,560 (2,092)	1170 (1568)	1560 (2092)	2808	1800
MM W18000 C	4,418	1,404 (1,883)	1053 (1412)	1404 (1883)	2527	1800
MM W18000 C	4,922	1,260 (1,690)	945 (1267)	1260 (1690)	2268	1800
MM W18000 C	5,298	1,170 (1,569)	878 (1177)	1170 (1569)	2106	1800
MM W18000 C	5,711	1,086 (1,456)	815 (1092)	1086 (1456)	1955	1800
MM W18000 C	6,761	0,929 (1,246)	697 (934)	929 (1246)	1672	1800
MM W18000 C	7,288	0,862 (1,156)	647 (867)	862 (1156)	1552	1800



Dimensions (mm)

Model	Bell housing	A	B	C	H1	H2	H3	L1	L2	Weight kg (lb)
MM W8000 C	-	0	860	530	360	960	-25	1121	165	1800 (3970)
MM W12000 C	-	0	930	624	400	1029	-25	1185	163	2530 (5580)
MM W18000 C	-	0	1080	768	480	1143	-30	1297	176	3650 (8050)

Main options:

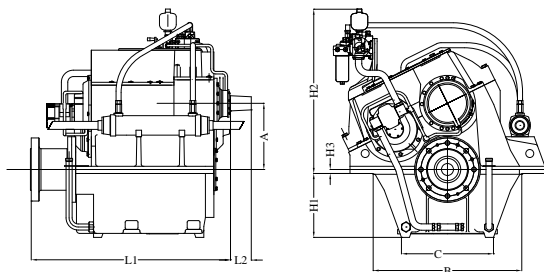
- Classification, shaft brake, trailing pump
- PTO / PTI solutions, retrofitable - see page 20
- Suitable for CPP – CPP range: see page 21



Marine Gearboxes - Standard series and ratios

Heavy duty ratings and dimensional data

Model	Ratios	kW/rpm (hp/rpm)	Sample power capacities kW (hp)			Max rpm
			1000 rpm	1200 rpm	1600 rpm	
MM W8200NR			1000 rpm	1200 rpm	1600 rpm	
MM W8200NR	2,953	0,950 (1,274)	950 (1274)	1140 (1529)	1520 (2038)	1635
MM W8200NR	3,445	0,815 (1,093)	815 (1093)	978 (1312)	1304 (1749)	1700
MM W8200NR	4,024	0,697 (0,935)	697 (935)	836 (1122)	1115 (1496)	1700
MM W8200NR	4,530	0,619 (0,830)	619 (830)	743 (996)	990 (1328)	1700
MM W8200NR	5,115	0,549 (0,736)	549 (736)	659 (883)	878 (1178)	1700
MM W12200NR			750 rpm	1000 rpm	1200 rpm	
MM W12200NR	2,976	1,259 (1,688)	944 (1266)	1259 (1688)	1511 (2026)	1250
MM W12200NR	3,477	1,144 (1,534)	858 (1151)	1144 (1534)	1373 (1841)	1450
MM W12200NR	3,911	1,050 (1,408)	788 (1056)	1050 (1408)	1260 (1690)	1600
MM W12200NR	4,405	0,943 (1,265)	707 (948)	943 (1265)	1132 (1518)	1600
MM W12200NR	4,979	0,834 (1,118)	626 (839)	834 (1118)	1001 (1342)	1600
MM W18200NR			1000 rpm	1200 rpm	1600 rpm	
MM W18200NR	3,026	1,803 (2,418)	1803 (2418)	2164 (2901)	2885 (3869)	1200
MM W18200NR	3,547	1,626 (2,181)	1626 (2181)	1951 (2617)	2602 (3489)	1450
MM W18200NR	4,002	1,486 (1,993)	1486 (1993)	1783 (2391)	2378 (3188)	1600
MM W18200NR	3,341	1,390 (1,864)	1390 (1864)	1668 (2237)	2224 (2982)	1600
MM W18200NR	4,716	1,301 (1,745)	1301 (1745)	1561 (2094)	2082 (2791)	1600
MM W18200NR	5,530	1,134 (1,521)	1134 (1521)	1361 (1825)	1814 (2433)	1600
MM W20200NR			1000 rpm	1200 rpm	1800 rpm	
MM W20200NR	3,512	2,124 (2,848)	2124 (2848)	2549 (3418)	- (-)	1280
MM W20200NR	4,126	1,997 (2,678)	1997 (2678)	2396 (3214)	- (-)	1500
MM W20200NR	5,032	1,803 (2,418)	1803 (2418)	2164 (2901)	3245 (4350)	1800
MM W20200NR	5,899	1,626 (2,181)	1626 (2181)	1951 (2617)	2927 (3924)	1800
MM W20200NR	6,654	1,486 (1,993)	1486 (1993)	1783 (2391)	2675 (3586)	1800
MM W20200NR	7,217	1,390 (1,864)	1390 (1864)	1668 (2237)	2502 (3354)	1800
MM W20200NR	7,843	1,301 (1,745)	1301 (1745)	1561 (2094)	2342 (3139)	1800



Dimensions (mm)

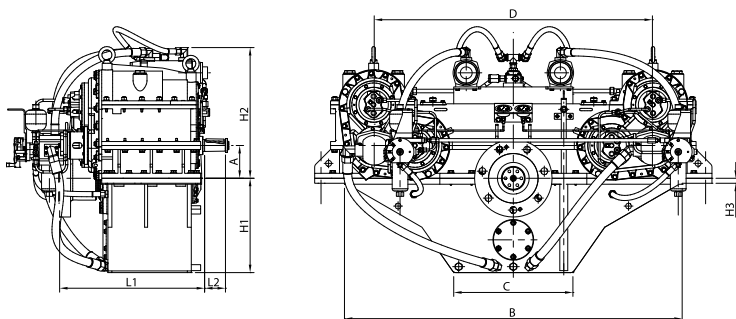
Model	Bell housing	A	B	C	H1	H2	H3	L1	L2	Weight kg (lb)
MM W8200NR	-	357	860	530	360	960	-25	1121	165	1800 (3970)
MM W12200NR	-	414	930	624	400	1029	-25	1185	163	2530 (5580)
MM W18200NR	-	482	1080	768	480	1143	-30	1297	155	3650 (8050)
MM W20200NR	-	720	1420	712	685	1491	-35	1415	155	5700 (12570)

Main options:

- Classification, shaft brake, trailing pump
- PTO / PTI solutions, retrofitable - see page 20
- Suitable for CPP – CPP range: see page 21



Model	Ratios	kW/rpm (hp/rpm)	Sample power capacities			Max rpm
			kW (hp)			
MM RSY 281		<i>per input</i>	<i>1500 rpm</i>	<i>1800 rpm</i>	<i>2100 rpm</i>	
MM RSY 281	3,527	0,371 (0,498)	557 (746)	668 (896)	779 (1045)	2100
MM RSY 281	4,130	0,316 (0,424)	474 (636)	569 (763)	664 (890)	2100
MM RSY 281	4,757	0,275 (0,369)	413 (553)	495 (664)	578 (774)	2100
MM RSY 281	5,602	0,233 (0,312)	350 (469)	419 (562)	489 (656)	2100
MM RSY 281	6,353	0,225 (0,302)	338 (453)	405 (543)	473 (634)	2100
MM RSY 281	7,284	0,184 (0,247)	276 (370)	331 (444)	386 (518)	2100



Dimensions (mm)

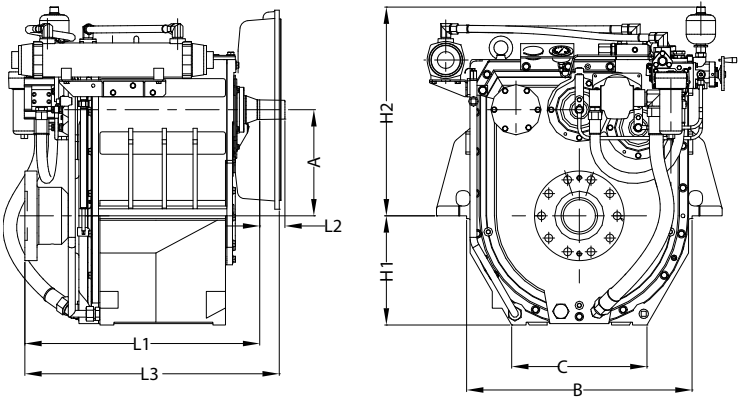
Model	A	B	C	D	H1	H2	H3	L1	L2	Weight kg (lb)
MM RSY 281	165	1700	600	1401	475	660	25	730	105	2600 (5733)

Main options:

- Classification
- Suitable for CPP – CPP range: see page 21
- PTO solutions - on request

Heavy duty ratings and dimensional data

Model	Ratios				Choice for 2nd ratio	kW/rpm (hp/rpm)	Sample power capacities kW (hp)			Max rpm
	1200 rpm	1600 rpm	1800 rpm	2200 rpm						
MM W3300DS							1200 rpm	1600 rpm	1800 rpm	
MM W3300DS	6,556	7,167	7,421	7,798	0,292 (0,392)		350 (470)	467 (627)	526 (705)	2200
MM W3300DS	6,940	7,595	7,875	8,249	0,255 (0,342)		306 (410)	408 (547)	459 (616)	2200
MM W3450DS							1200 rpm	1600 rpm	1800 rpm	
MM W3450DS	4,077	4,462	4,615	4,846	0,361 (0,484)		433 (581)	578 (775)	650 (871)	2200
MM W3450DS	4,583	5,015	5,188	5,448	0,361 (0,484)		433 (581)	578 (775)	650 (871)	2200
MM W3450DS	4,913	5,376	5,562	5,840	0,361 (0,484)		433 (581)	578 (775)	650 (871)	2200
MM W3450DS	5,476	5,933	6,199	6,509	0,361 (0,484)		433 (581)	578 (775)	650 (871)	2200
MM W3450DS	5,850	6,402	6,623	6,954	0,361 (0,484)		433 (581)	578 (775)	650 (871)	2200
MM W5200DS							1200 rpm	1600 rpm	1800 rpm	
MM W5200DS	3,964	4,360	4,559	4,757	0,555 (0,744)		666 (893)	888 (1191)	999 (1340)	2100
MM W5200DS	4,345	4,780	4,997	5,214	0,555 (0,744)		666 (893)	888 (1191)	999 (1340)	2100
MM W5200DS	4,962	5,458	5,706	5,954	0,555 (0,744)		666 (893)	888 (1191)	999 (1340)	2100
MM W5200DS	5,458	6,004	6,277	6,277	0,555 (0,744)		666 (893)	888 (1191)	999 (1340)	2100
MM W5200DS	5,955	6,551	6,848	7,146	0,555 (0,744)		666 (893)	888 (1191)	999 (1340)	2100



Dimensions (mm)

Model	Bell housing	A	B	C	H1	H2	H3	L1	L2	L3	Weight kg (lb)
MM W3300DS	SAE 0, 1	379	804	484	390	746	0	839	90	908	1260 (2780)
MM W3450DS	SAE 0, 1	379	804	484	390	746	0	839	90	908	1260 (2780)
MM W5200DS	SAE 0, 00	431	1116	550	492	742	0	855	90	1020	2000 (4400)

Main options for MM W3300, MM W3350, MM W3450, MM W3700, MM W5200 :

- Classification, shaft brake, trailing pump
- PTO / PTI solutions, retrofitable - see page 20



Power Take Off for gearboxes from NFB to NFC

PTO type	Output quantity	With clutch	Without clutch	Maximum Torque N.m
PTO NFB	1	x	x	600 to 900
PTO NFC	1	x	x	900

Power Take Off for gearbox MM W2900

PTO type	Output quantity	With clutch	Without clutch	Maximum Torque N.m
PTO type 0 *	1		x	250
PTO type 1	1	x	x	1 400

* PTO type 0 can be added to PTO type 1, 2 or 3

Power Take Off for gearboxes from MM W3300 to MM W7400

PTO/PTI type	Output quantity	With clutch	Without clutch	Maximum Torque N.m
PTO type 0 *	1		x	250
PTO type 1	1	x	x	1 400
PTO type 2	2	x	x	2650
PTO type 3	3	x	x	4200

* PTO type 0 can be added to PTO type 1, 2 or 3

Power Take Off for gearboxes from MM W8000 to MM W20500

PTO/PTI type	Output quantity	With clutch	Without clutch	Maximum Torque N.m
PTO type A	1		x	10 000
PTO type B2	1	x	x	4 500
PTO type B3	1		x	1 900
PTO type B4	1		x	5 300
PTO type C *	2	x	x	3 700

* PTO type C can be added to PTO type A, B2 or B3

Options:

- Pump adaptation to SAE standard
- Auxiliary pumps

Heavy duty ratings and dimensional data

Models *	kW/rpm (hp/rpm)	Hub \varnothing	Max Shaft \varnothing	Mini Propeller \varnothing	Max Propeller \varnothing
MM 300	0,6 (0,8)	300	100	900	1350
MM 370	0,9 (1,2)	370	132	1050	1650
MM 430	1,3 (1,7)	430	132	1300	1850
MM 480	2,5 (3,4)	480	162	1440	2160
MM 520	4,5 (6,0)	520	195	1560	2500
MM 580	5,3 (7,1)	580	215	1740	2790
MM 660	7,5 (10,1)	660	240	1920	3150
MM 720	11,0 (14,8)	720	265	2160	3400
MM 780	15,0 (20,1)	780	290	2340	3600
MM 860	22,0 (29,5)	860	325	2580	3930

Model types:

- MMS : pitch actuator built on the gear box output flange
- MMI : pitch actuator built in the propeller hub

Fixed Pitch Propellers (FPP), nozzles also supplied by Masson Marine.
Please consult us.

*Our sales and service organisation remains at your disposal through an active worldwide network
See below main offices contacts :*

MASSON MARINE SAS
5 rue Henri Cavallier
89100 Saint Denis Les Sens
FRANCE

contact@masson-marine.com

Phone: +33 3 86 95 62 00

MASSON MARINE IBERICA
Avda. San Pablo 28 Nave22
28823 Coslada
SPAIN

contact-mmi@masson-marine.com

Phone: +34 91 671 47 66

MASSON MARINE PROPULSION PTE LTD
#08-114 Trade Hub 21,
18 Boon Lay Way
Singapore 609966
SINGAPORE

contact-mmsg@masson-marine.com

Phone: +65 6795 0209





Réalisation Idéal Productions - www.idealprod.fr - Version 3 - 2015

5 rue Henri Cavallier
89100 Saint Denis les Sens - France
Tel : +33 (0)3 86 95 62 00
Fax : +33 (0)3 86 95 13 78

www.masson-marine.com
contact@masson-marine.com