

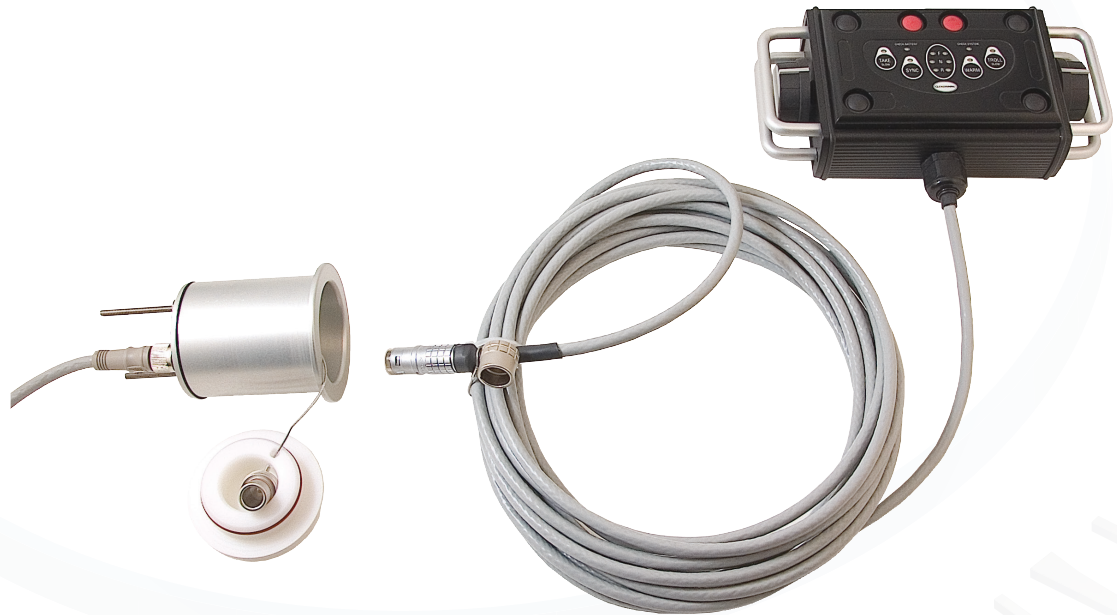
Complete Controls - Handheld Remote

Portable handheld vessel control

Add a helm station anywhere on your boat!

Features:

- **ERGONOMIC DESIGN** - Allows you to effortlessly control both engines at the same time –Lightweight, compact size control unit.
- **COMPLETE ENGINE CONTROL** - Use for complete engine throttle and transmission shift – all normal functions available at any station control head are available on the Handheld Remote.
- **AUXILIARY CONTROL SYSTEM (OPTIONAL)** - Throttle, shift functions plus up to 6 additional functions –windless, bow thruster, stern thruster, engine stop, engine start, horn and steering jog (via Autopilot)
- **STANDARD CABLE LENGTH** - C25 feet allows you to operate your engine controls from virtually anywhere on board.
- **PLUG-IN FOR INCREASED MOBILITY** - Receptacle can be placed in multiple locations on the boat to increase the usefulness of the Handheld Remote. Receptacle can be connected with standard station communication cables (various lengths).



Glendinning Products, LLC.

740 Century Circle, Conway, SC 29526-8274

t: +1 (843) 399-6146 | e: info@glendinningprods.com | f: +1 (843) 399-5005

www.glendinningprods.com



Complete Controls - Handheld Remote

Portable handheld vessel control

Basic Remote



Keypad Functions

Shift & Throttle

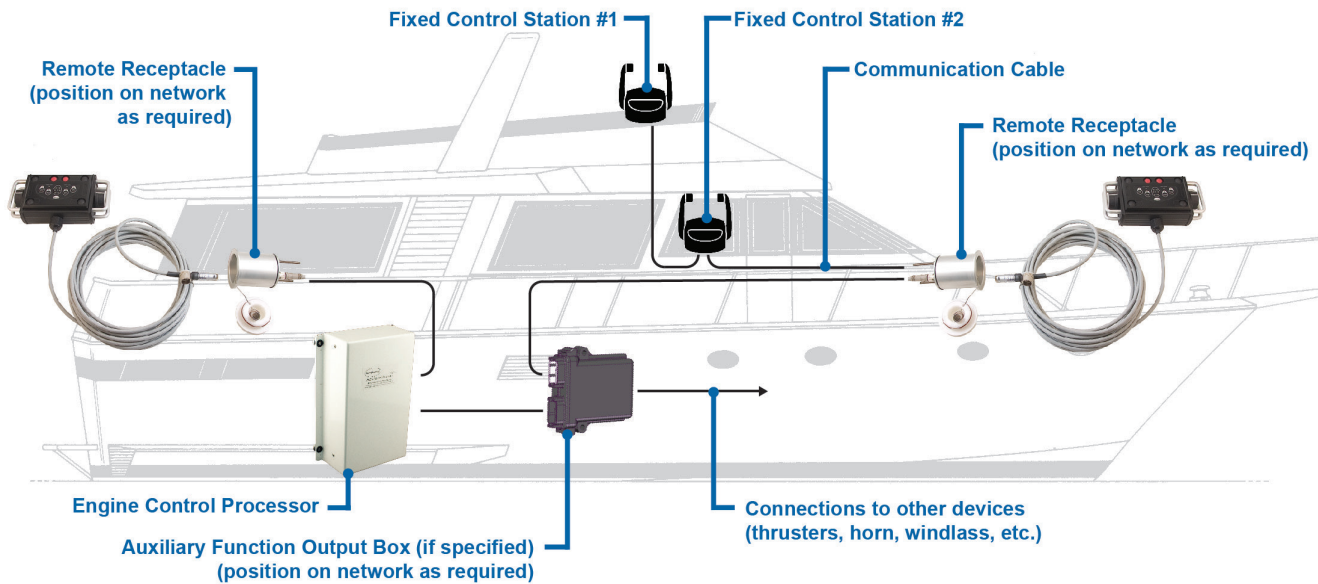
The basic remote has all the same functionality as your helm station 4-button control head. Includes throttle, shift, and keypad functionality.

Auxiliary Remote



The Auxiliary Remote includes all Basic Remote features with up to 6 functions using the additional buttons (circled above). Auxiliary function options include bow thrusters, stern thrusters, engine stop, windlass, horn, etc. (NOTE: See below for schematic of this system)

Installation Showing Pluggable Handheld Remote Stations



Glendinning Products, LLC.

740 Century Circle, Conway, SC 29526-8274

t: +1 (843) 399-6146 | e: info@glendinningprods.com | f: +1 (843) 399-5005

www.glendinningprods.com

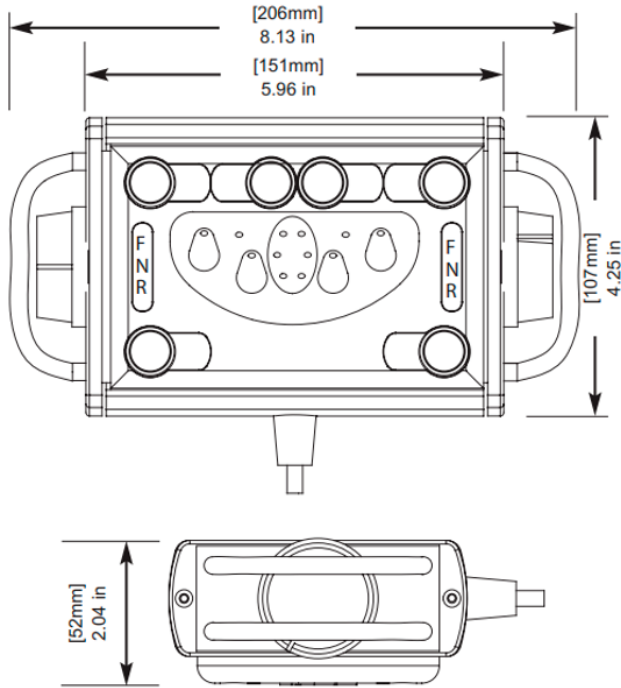


Complete Controls - Handheld Remote

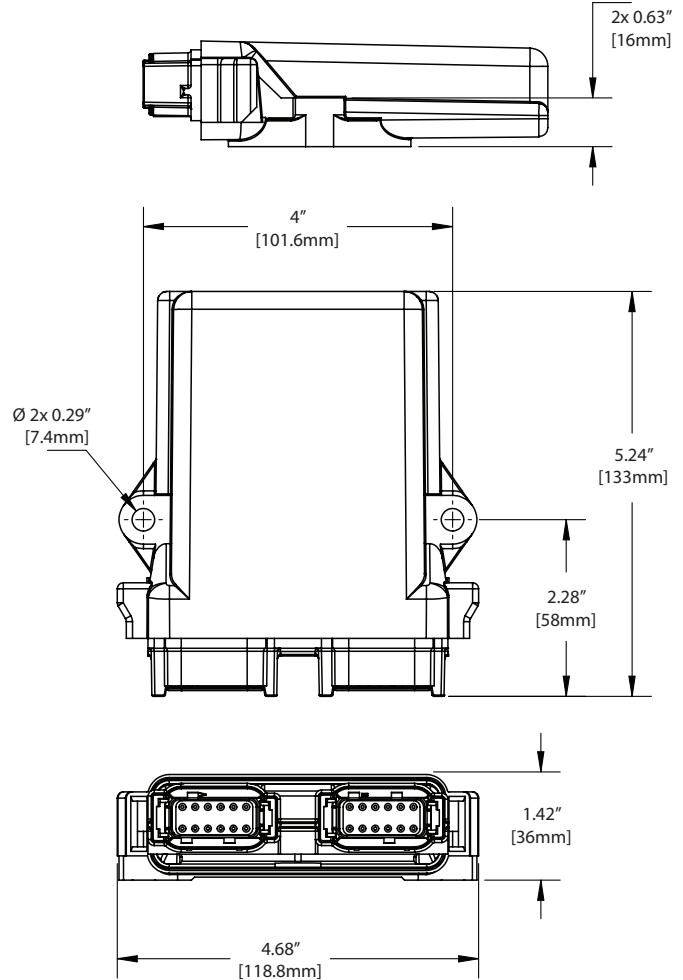
Portable handheld vessel control

Dimensions

Handheld Remote



Auxiliary Function Output Box



Part Number	Description
11470-6-25P	Control System with Auxiliary Control Option -6 button control with 25' [10.6] harness, auxiliary function box and associated harnesses, DC power harness and one remote receptacle. (NOTE: 2 standard additional station communication cables are also required).
19351-6-25-P	Basic Control System - 6 Button control with 25' [10.6] harness only.
11472-EEC3	Remote Receptacle (Note: One standard additional station communication cable is also required per receptacle).
11600-02-XX	Station Communication Cable (XX = Length In Feet. 05, 10,20,40,60,80,100).

Glendinning Products, LLC.

740 Century Circle, Conway, SC 29526-8274

t: +1 (843) 399-6146 | e: info@glendinningprods.com | f: +1 (843) 399-5005

www.glendinningprods.com

